

Waterproof Horn Speaker with SIP communication



Main features

- Individual volume adjustments for the speaker and microphone
- Internal microphone
- High volume waterproof SIP horn
- Integration with SIP 2.0 Platforms
- Nominal power: 20 W (supply*) or 15 W (PoE)
- Power: Power over Ethernet (PoE 802.3af) or 12V / 2A power supply*

* The power supply is not provided by Khomp.

Applications

- Solution for external environments where there is a need to alert everyone present
- Communicator for electronic gates
- Emergency Flag

Overview

Horn Speaker SIP is a long-range communicator horn, made of resistant materials for outdoor operation.

The product is completely dustproof and protected against water jets (waterproof).

It has excellent cost-benefit and provides technology for communication, access control and automation solutions. It provides audio quality in communication and has the power to ensure that alerts issued are understood over long distances.

Horn Speaker SIP has a user-friendly Web Interface that allows system configuration, registration on SIP platforms and point-to-point connections.

The product uses the VoIP telephone network for connection and communication.

Technical specifications

Hardware

- Nominal power: 20 W (supply*) or 15 W (PoE)
- Power over Ethernet (PoE 802.3af)
- Nominal impedance: 8 Ohms
- Frequency range: 400 Hz to 5 kHz
- SPL (sound pressure level at 1 W/m): 113 dB
- Maximum SPL: 116 dB
- Degree of protection: waterproof
- Material: ABS (light and flexible thermoplastic)
- Gray color
- Dimensions: 160x250x450 mm
- Carbon steel fixing tableOne 10/100 Mbps RJ45 Ethernet port
- Approximate weight: 3 kg (without transport packaging)
- Internal microphone

Supported Codecs

- Audio: G.711 A-law and μ -law

* The power supply is not provided by Khomp.

Features and Connections

- Web interface for equipment settings
- Supported VoIP protocols: SIP and RTP
- Playback of pre-recorded audio (.raw format)
- Restful HTTP API
- Individual control for microphone and speaker volume
- Communication through Multicast RTP groups
- Restoring settings via jumper
- Automatic provisioning via TFTP

Physical/Environmental

- Operating temperature: -20 °C to 70 °C
- Storage temperature: -45 °C to 80 °C
- Operating humidity: 5% to 95%
- Atmospheric pressure: 70–106 kPa
- Degree of protection against infiltration: Waterproof

Warranties and Certifications

- Full warranty (legal + Khomp warranty): 1 year
- Legal warranty: 90 days
- Khomp Warranty: 9 months
- ISO 9001 certified industry



The equipment is limited to 15 W when powered via the PoE network.

Product images



Caption: Rear view of the Horn Speaker SIP.



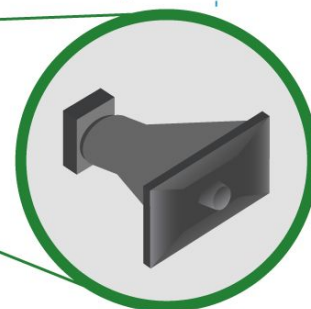
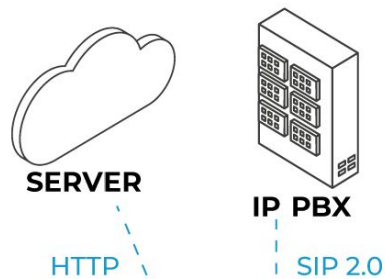
Caption: Side view of the Horn Speaker SIP.



Caption: Front view of the Horn Speaker SIP.

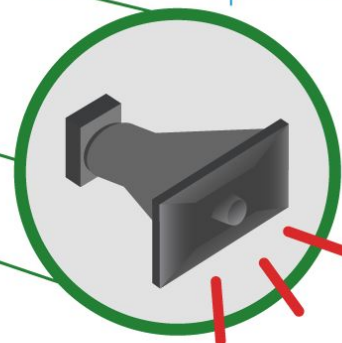
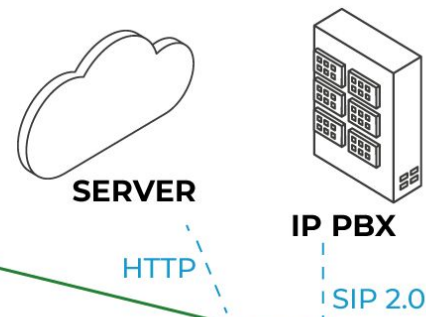
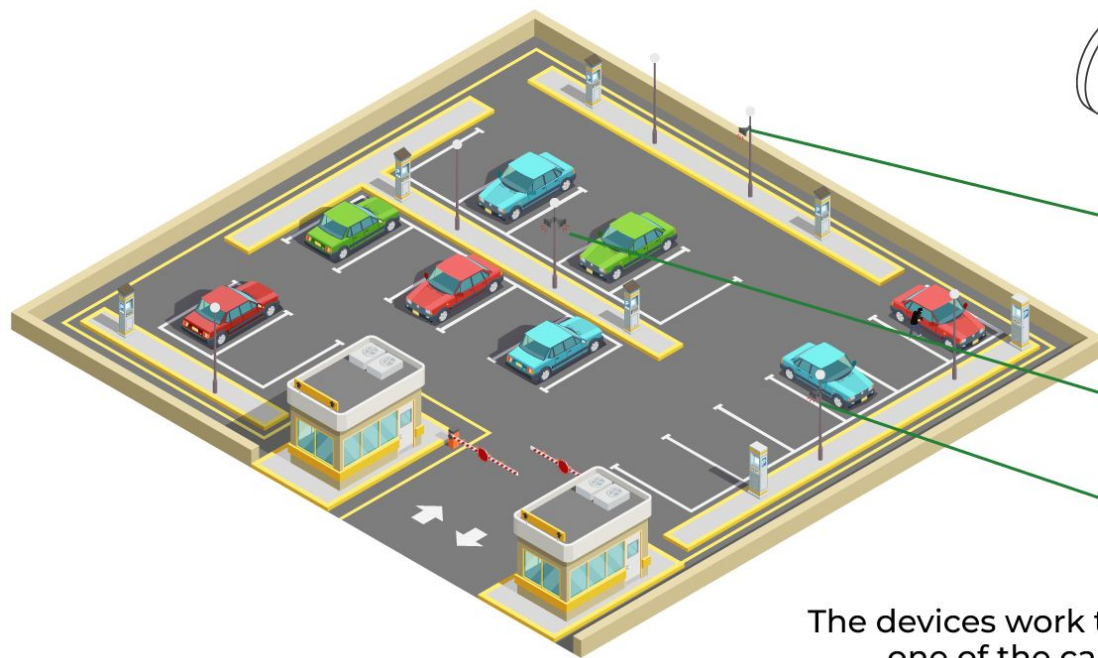
Application models

Horn Speaker SIP



The device acts as a **communicator and gatekeeper** for the warehouse

Horn Speaker SIP



The devices work to **alert you to the theft** of one of the cars in the parking lot.